

# Econo 800/1200/1500

**Econo 800**  
**Econo-1200**  
**Econo-1500**

The **Econo Banner Stand** is an affordable, versatile stand in silver with sleek black endcaps. With three base widths to choose from, including one that is five feet wide, this product's usability goes from banner stand to backwall.



We are continually improving and modifying our product range and reserve the right to vary the specifications without prior notice. All dimensions and weights quoted are approximate and we accept no responsibility for variance. E&OE. See Graphic Templates for graphic bleed specifications.

## features and benefits:

- Comes complete with base, snap top rail, three piece bungee pole(s) and carry bag
- Three sizes to choose from: 800, 1200 and 1500mm wide
- Lightweight construction
- Anodized silver finish
- Carry bag included
- Twin swivel feet for excellent balance and stability
- 90 day warranty against manufacturer defects

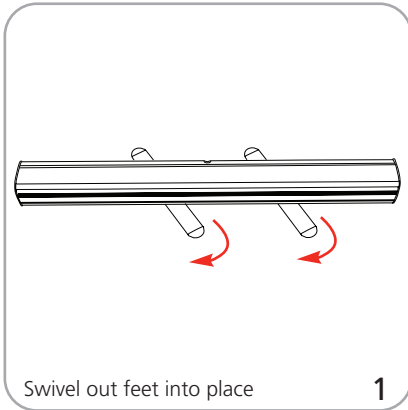
## dimensions:

Hardware	Graphic
<b>Assembled unit:</b> 800mm: 32" w x 82.87" h x 11.2" d 812.8mm(w) x 2105mm(h) x 285mm(d)  1200mm: 48.25" w x 82.87" h x 11.2" d 1225.6mm(w) x 2105mm(h) x 285mm(d)  1500mm: 59.5" w x 82.87" h x 11.2" d 1511.3mm(w) x 2105mm(h) x 285mm(d)	<b>Total visual area:</b> 800mm: 31.5" w x 78.5" h 800mm(w) x 1994mm(h)  1200mm: 47.25" w x 78.5" h 1200.15mm(w) x 1994mm(h)  1500mm: 59" w x 78.5" h 1498.6mm(w) x 1994mm(h)
<b>Shipping</b>  <b>Shipping dimensions - ships in one box</b> 800mm: 35" l x 5" w x 5" h 889mm(l) x 127mm(w) x 127mm(h)  1200mm: 50" l x 5" w x 5" h 1270mm(l) x 127mm(w) x 127mm(h)  1500mm: 62" l x 5" w x 5" h 1575mm(l) x 127mm(w) x 127mm(h)  <b>Approximate shipping weight:</b> 800mm: 7 lbs / 3.2 kgs 1200mm: 11 lbs / 5 kgs 1500mm: 12 lbs / 5.4 kgs	Refer to related graphic template for more information

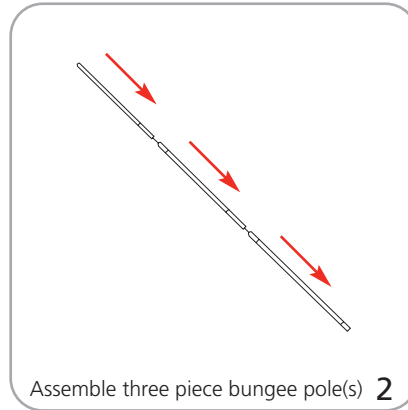
## additional information:

**Graphic materials:**  
 13 oz flatmaxx vinyl or premium 100% opque fabric

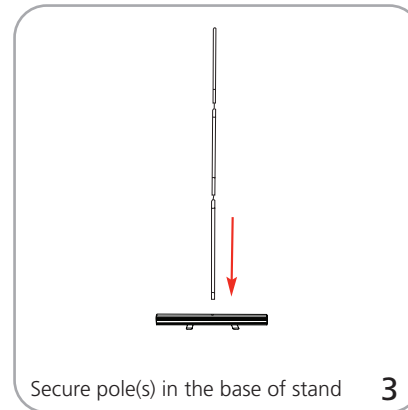
**Econo 800** is supplied with one bungee pole per unit while 1200 and 1500 come with two bungee poles per unit



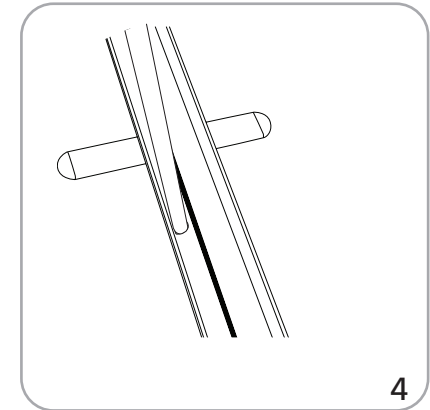
Swivel out feet into place **1**



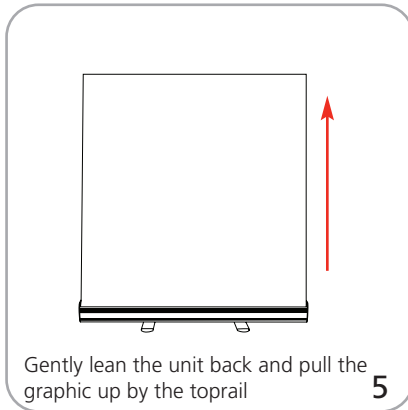
Assemble three piece bungee pole(s) **2**



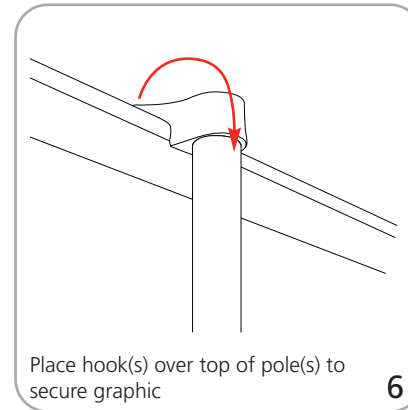
Secure pole(s) in the base of stand **3**



**4**

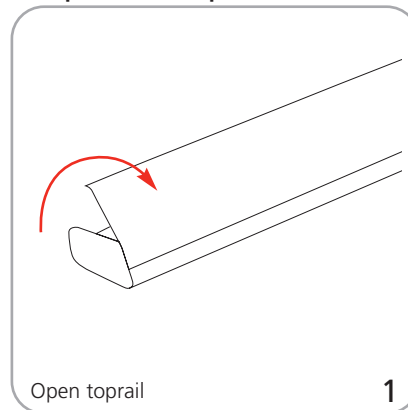


Gently lean the unit back and pull the graphic up by the toprail **5**

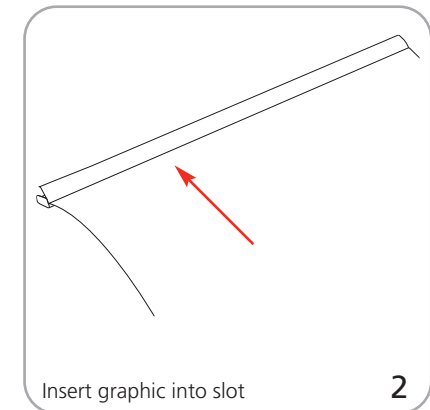


Place hook(s) over top of pole(s) to secure graphic **6**

Graphic to toprail attachment

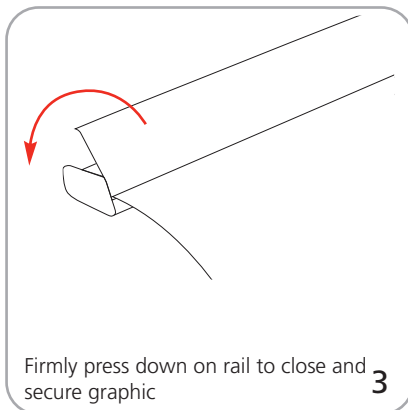


Open toprail **1**

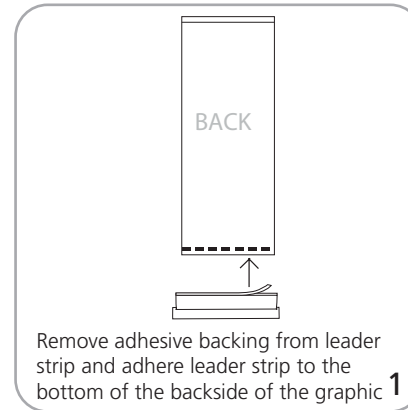


Insert graphic into slot **2**

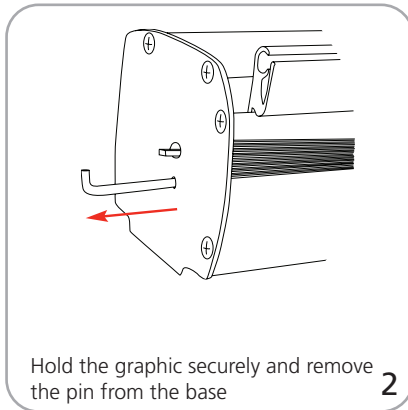
Graphic to base attachment



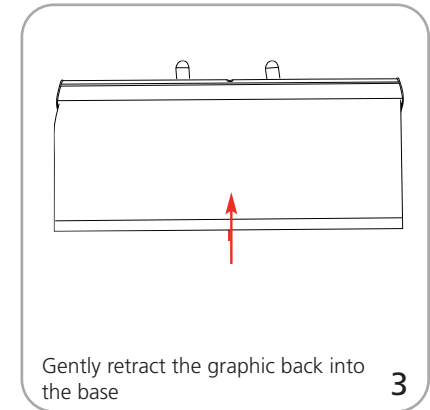
Firmly press down on rail to close and secure graphic **3**



Remove adhesive backing from leader strip and adhere leader strip to the bottom of the backside of the graphic **1**



Hold the graphic securely and remove the pin from the base **2**



Gently retract the graphic back into the base **3**